



- 45VDC, 55VAC, 130VAC, & 250VAC Ratings
- Ground Connection
- Varistor & Triode Combinations
- Stranded Wire Leads
- Analog Circuit Protection
- Solid State Output Protection

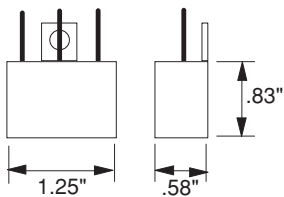


Operation

Spike Protectors

R-K Spike Protectors are applied to control and instrumentation loop circuits where transient electrical voltages can cause malfunctions or damage to solid state controls or process systems. The Spike Protectors are designed to control voltage spikes within a tolerable level while minimizing any effect to the analog control signals. The SPs are typically connected in parallel with the signal leads and ground at the controller. The varistor combinations allow the excessive voltage spikes to dissipate line to line and line to ground.

Dimensions



Specifications

Electrical

Input Voltage: Up to 45VDC or Up to 240VAC

Varistor: (Rated Individually)

Voltage Code	Max. Allowable Voltage	Clamping Voltage	Energy (Joules)
45D	45VDC	110V @ 2.5A	2.7
55A	55VAC	165V @ 25A	10
130A	130VAC	340V @ 50A	38
250A	250VAC	650V @ 10A	17

Physical

Termination: #18 Stranded Wire Leads

Packaging: Epoxy Filled with Mounting Tab for #10 Screw
Weight: 1 Oz.

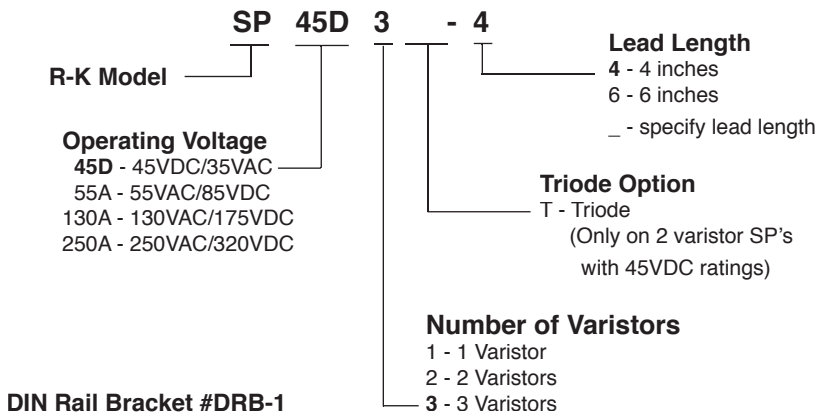
Ambient Temperatures

Operating: -40°C to 85°C
Storage: -40°C to 85°C

Triode: (Three-electrode gas-tube surge protector)

Sparkover Voltage: 250-350VDC

Ordering Information



Connections

